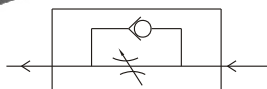


MSC200/300 series

FLOW CONTROL VALVE



Symbol:



Specification:

Model	MSC200		MSC300	
	Bore No.	6A	8A	10A
Port size	PT 1/8	PT 1/4	PT 3/8	PT 1/2
Medium	Air			
Operating pressure range	0~9.9 kgf/cm ² (0~0.99 MPa)			
Proof pressure	15 kgf/cm ² (1.5 MPa)			
Ambient temperature	-5~+60°C (No freezing)			
Flow(l/min)	800		1650	
Weight	72 g		130 g	

Order example:

MSC200 — 6A — BSP

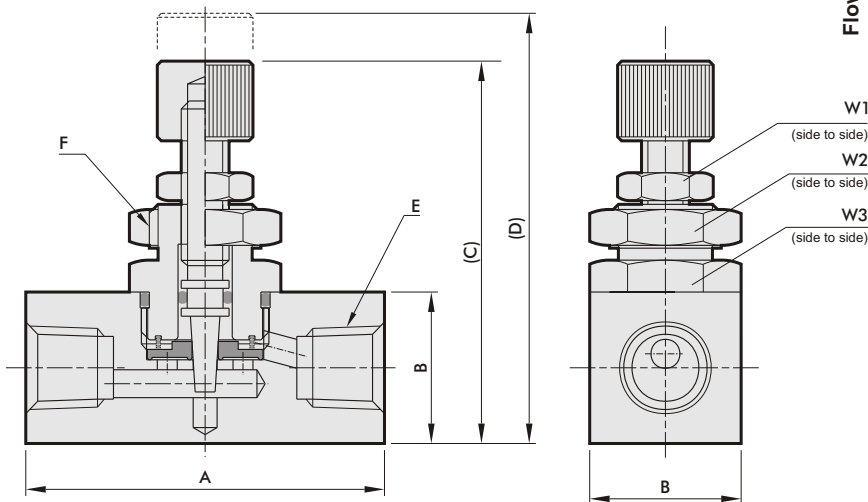
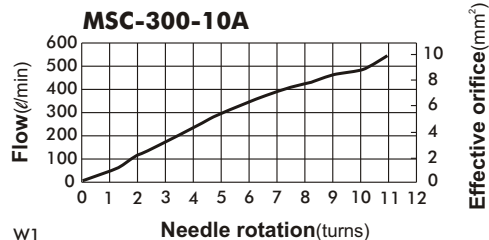
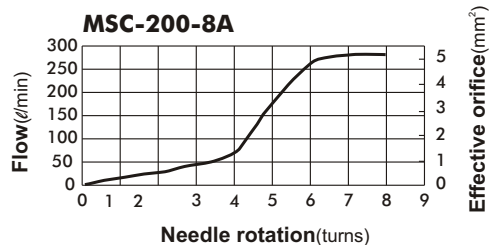
MODEL

BORE SIZE

PORT THREAD

Blank: PT thread
BSP: BSP thread
NPT: NPT thread

Flow feature :



Code Model	A	B	C	D	E	F	W1	W2	W3	
MSC200	6A	45	19	46	53	PT 1/8	M14×1.25	11	17	17
	8A	45	19	46	53	PT 1/4	M14×1.25	11	17	17
MSC300	10A	55	25	52	59	PT 3/8	M18×1.0	11	17	23
	15A	55	25	52	59	PT 1/2	M18□1.0	11	17	23